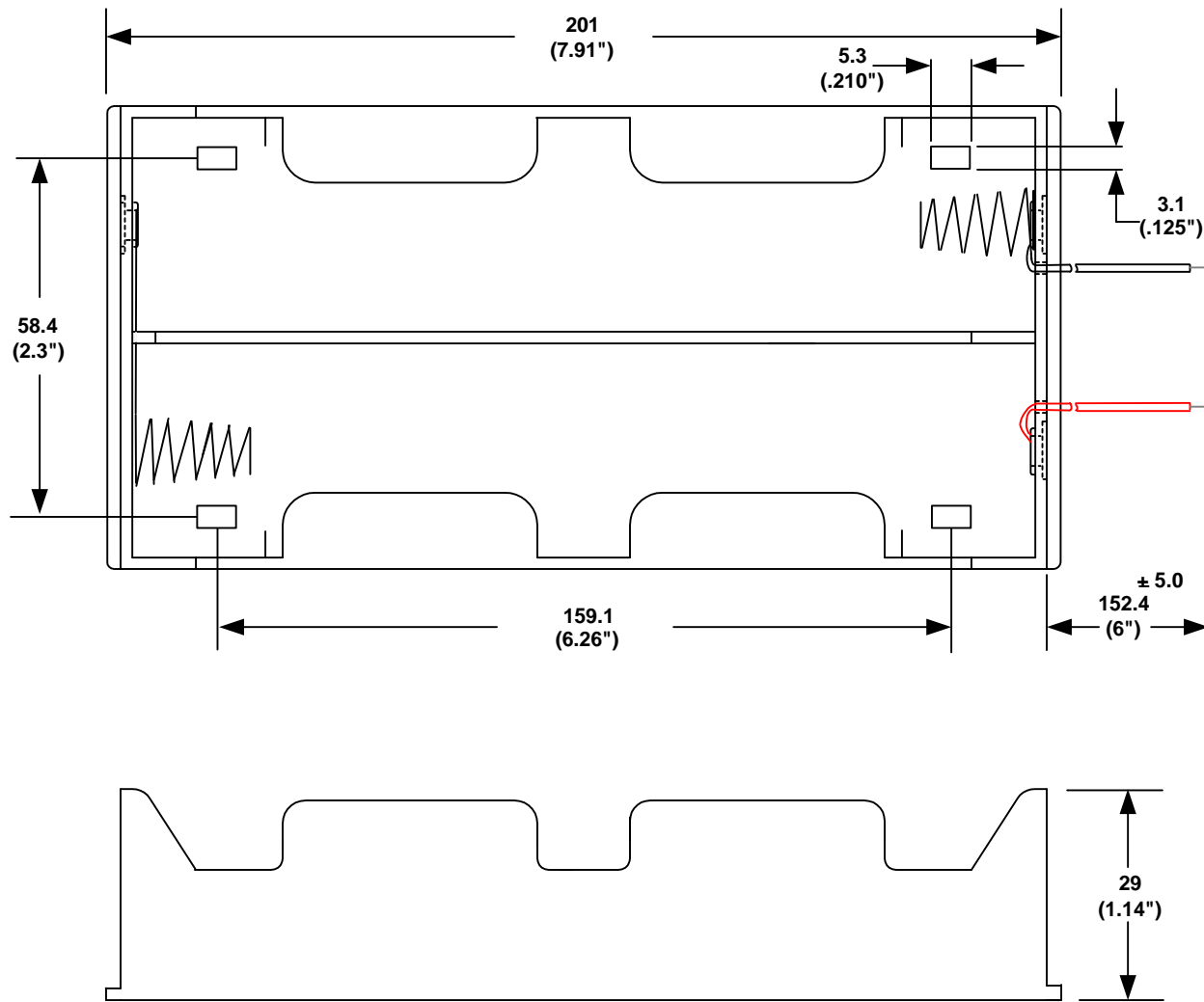
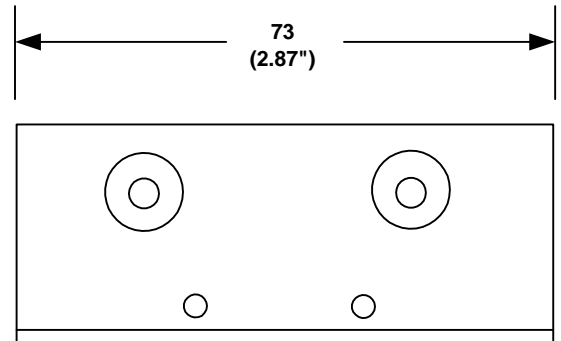


DATE	SYM	REVISION RECORD	AUTH	DR.	CK.
4/22/06	A	ADDED "ROHS COMPLIANT" UPDATED MATERIAL NOTE	T.B.	B.S.	



ORDERING CODE BH26D

SOLDER LUGS	= L
(6") WIRE LEADS	= W
9VOLT TYPE SNAPS	= SF




(6") WIRE LEADS SHOWN ABOVE

SPECIFICATIONS:

Plastic material - polypropylene, PP-1040
 Flammability rating-UL94 HB, UL file no. E216959
 Temperature Range: -10°C to +100°C
 Springs - nickel plated spring steel Wire - 152.4 mm Long 26 AWG, UL1007, CSA - TR-64, 300V, 80°C.
 Rivets - Brass, nickel plated
 9 Volts Snaps - Brass, nickel plated
 Contact resistance: Under 50m Ω for +/- contacts per EIA-540J000
 ROHS COMPLAINT

Note: Dimensions in mm. (inches)

TOLERANCES (EXCEPT AS NOTED)		 Memory Protection Devices, Inc. 200 Broad Hollow Road, Farmingdale, New York 11735	
DECIMAL			
+ .5 (.020")		-----	APPROVED BY
FRACTIONAL	TITLE	SIX "D" CELL HOLDER	
+ .8 (.030")			
ANGULAR	DATE	DRAWING NUMBER	
+ 3°	4/22/2006	BH26DW	